



interventek
subsea engineering

Surface Well Intervention Valve



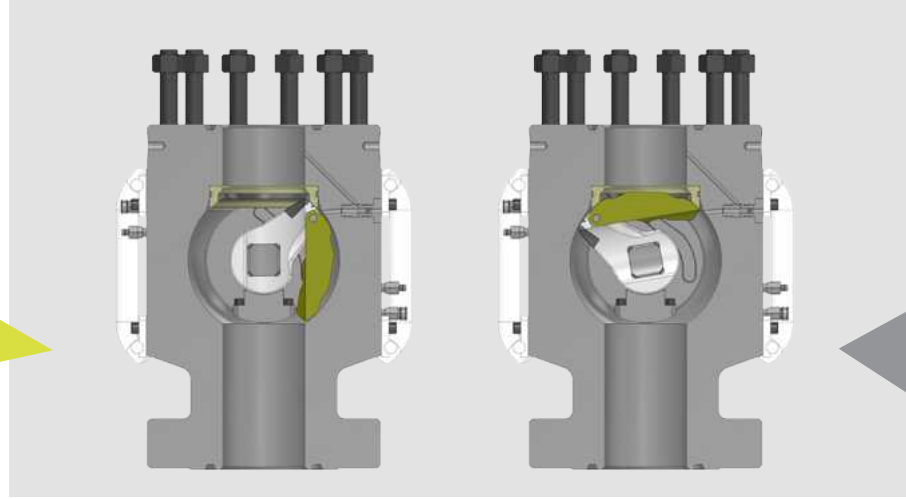
The Surface Well Intervention Valve is a large bore hydraulically controlled valve that forms an intrinsically safe barrier between the Xmas tree and wireline/coiled tubing BOP's during surface intervention. The valve provides enhanced cutting and post-cut sealing capabilities and its compact nature allows for exceptional ease of installation.

Innovative 'shear and seal' technology that out performs its rivals

The unique Revolution Valve is the only valve on the market that does not compromise its ability to seal due to its novel shearing action and does not use any elastomer components for fluid containment. This is the best line of defence in high pressure, high temperature environments and when a fast and reliable seal is required. It is easily scaled to meet all well bore sizes, to cut all likely intervention media and its compact size with rotary actuators means it is ideally suited to the challenging confines of platform intervention.



revolutionTM
valve



Surface Well Intervention Valve

Features	Benefits
Separate cutting and sealing components in a single device	<ul style="list-style-type: none"> Eliminates risk of damage to the seal during cutting giving unparalleled post-cut sealing performance Eliminates need for, and inconvenience of, separate devices
Compact and lightweight design	<ul style="list-style-type: none"> Maximises installation options - easily deployed through wellhead access hatches
Resilient well bore sealing	<ul style="list-style-type: none"> Enables use in high pressure and high temperature applications Provides explosive decompression resistance Eliminates vulnerabilities of metal seals
Utilises standard control fluids	<ul style="list-style-type: none"> Allows operation with existing BOP controls
Flanged end connections (other end connections are available)	<ul style="list-style-type: none"> Permits easy integration with lubricator stacks

Cutting Capability		
15 x 0.125" Slickline	10 x 0.160" Slickline	
5 x 0.250" Capillary	5 x 7/32" E-Line	
3 x 5/16" E-Line	3 x 0.472" Hepta Cable	
2 x 0.520" Hepta Cable	Coiled Tubing version available	

Specifications					
Bore Diameter	6 5/8"	168 mm	Make-Up Height	28.0"	711.2 mm
Maximum Width	26.2"	665 mm	Weight	2,028 lb	920 kg
Working Pressure	10,000 psi	690 bar	End Connections	7 1/16" 10,000 psi flanged	
Hydraulic Pressure	3,000 psi	207 bar	Control Fluid	Any oil or water based fluid	

- Manufactured to API6A, PR1/PSL3 requirements as standard, PR2/PSL4 is available on request
- Material Class EE as standard, other trims available on request
- Temperature Class P-V as standard, other ranges available on request



interventek
subsea engineering